



10 bar
operating pressure

75 to 21.120 Nm³/h
volume flow rate

DN10 to DN80 TC ISO
DN100 to DN200 EN
connections

1,5°C to 150°C
operating temperature range

stainless steel **1.4404**-standard
stainless steel **1.4301**-option
material

DESCRIPTION

SF stainless steel sterile filters are designed for high-efficient sterile filtration of compressed air, process air and technical gasses. SF sterile filters provide high-efficient removal of sub-micron particles down to 0,01µm including microorganisms (bacteria). Filter housing surface is polished down to grade Ra0,8.

Required compressed air quality according to standard ISO 8571-1 can be achieved with appropriate filter element.

For any other technical gas please contact producer or your local distributor.

Fluid group 1 on request.

APPLICATIONS

- Packing industry
- Biotechnology
- Breweries
- Chemical industry
- Dairies
- Fermentation processes
- Food and beverage industry
- Pharmaceutical industry
- Hospitals

SF SERIES

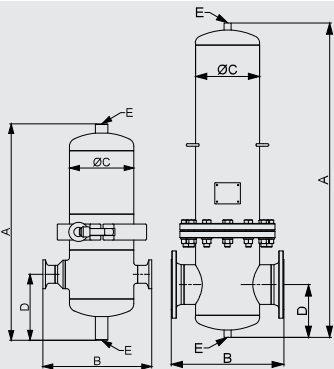
STAINLESS STEEL STERILE FILTERS





TECHNICAL DATA

Filter housing size	Pipe size	Max. oper. pressure bar/psi	Flow rate at 7 bar(g), 20 °C		Dimensions [mm]					Mass kg	VFST sterile 0,01 µm
	inch		Nm³/h	scfm	A	B	C	D	E		
SF 0006	DN10	10/145	75	44	220	130	76,1	74	1/8"	1,6	1 x 0310 VSF
SF 0009	DN10	10/145	105	62	248	130	76,1	74	1/8"	1,6	1 x 0410 VSF
SF 0012	DN15	10/145	150	88	256	128	76,1	78	1/8"	1,8	1 x 0420 VSF
SF 0018	DN15	10/145	225	132	288	128	76,1	78	1/8"	1,8	1 x 0520 VSF
SF 0032	DN25	10/145	315	185	315	180	114,3	99	1/4"	3,1	1 x 0530 VSF
SF 0048	DN32	10/145	600	353	368	181	114,3	90	1/4"	3,4	1 x 0730 VSF
SF 0072	DN40	10/145	900	530	449	174	114,3	65	1/4"	3,6	1 x 1030 VSF
SF 0108	DN50	10/145	1.260	742	591	188	114,3	110	1/4"	4,9	1 x 1530 VSF
SF 0144	DN65	10/145	1.680	989	741	205	139,7	136	1/4"	8,4	1 x 2030 VSF
SF 0192	DN80	10/145	2.400	1.413	1014	203	139,7	136	1/4"	10,2	1 x 3030 VSF
SF 0432	DN100	10/145	5.040	2.966	1005	410	219,1	183	1/2"	44	3 x 2030 VSF
SF 0576	DN100	10/145	6.720	3.955	1266	410	219,1	183	1/2"	45	3 x 3030 VSF
SF 0768	DN150	10/145	9.600	5.650	1337	480	273	267	1/2"	70	4 x 3030 VSF
SF 1152	DN150	10/145	13.440	7.910	1331	540	323,9	267	1"	80	6 x 3030 VSF
SF 1536	DN200	10/145	17.200	10.124	1496	660	406,4	306	1"	200	8 x 3030 VSF
SF 1920	DN200	10/145	21.120	12.431	1496	660	406,4	306	1"	201	10 x 3030 VSF



quality class - solids (ISO 8573-1)	1
quality class - oils (ISO 8573-1)	-
pressure drop - new element (dry) [mbar / psi]	80/1,160
pressure drop - new element (wet) [mbar / psi]	190/2,756
filter media	Borosilicate micro fibres
pleated version	-
wrapped version	✓
sintered version	-
min. operating temperature (°C / °F)	-20 / -4
max. operating temperature (°C / °F)	150 / 302

CORRECTION FACTORS

Operating pressure [bar]	2	3	4	5	6	7	8	9	10
Operating pressure [psi]	29	44	58	72	87	100	115	130	145
Correction factor	0,38	0,50	0,63	0,75	0,88	1	1,13	1,25	1,38