

S110

Power and Energy Meter



S110



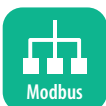
S110-P



MULTIFUNCTION POWER AND ENERGY METER
 kWh, A, V, Hz, cos phi
 3-phase, 1-phase



COMPRESSOR PERFORMANCE
 Helps to identify compressor efficiency



MODBUS/RTU INTERFACE
 Connects to any Modbus-Master



ROGOWSKI COILS
 Wide range, highly accurate

Benefits

- ✓ Convenient and easy to set up compressor performance and efficiency monitoring
- ✓ Real power consumption in kW and kWh by measuring each phase voltage and current
- ✓ DIN rail installation for power cabinets or portable version with rugged housing
- ✓ Power range up to 2 MW (2000 kW)
- ✓ Three current sensor models with 100 A, 1000 A or 3000 A available

Operation Principle

The SUTO Power and Energy Meter has been designed with a focus on easy installation and reliable measurements. The main application is to measure the power consumption and the accumulated energy consumption of electrical 3-phase consumers, like compressors, driers and oxygen/nitrogen generators.

The main difference to common power measurements is that all relevant parameters are real measured values and not assumptions. Unlike the traditional method, where only one phase is measured, the voltage is assumed as stable and the phase shift is entered as a constant, the S110 measures the voltage and current of each phase.

By this, the S110 is much more accurate and delivers more reliable measurements compared to single phase current measurements.

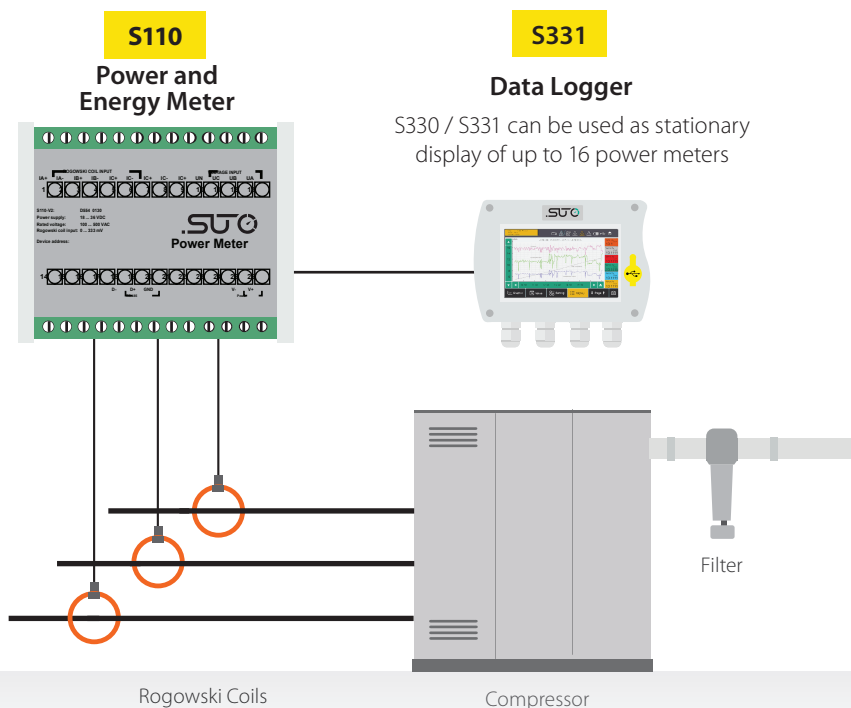
Application

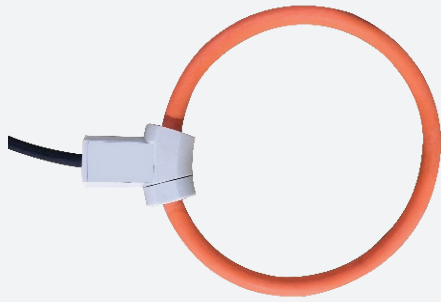
In this illustration, a Power and Energy Meter is installed directly into the connection box of the compressor.

The Rogowski current coils are easy to install, by just clamping them around the power cables. The voltage connection can be drawn directly from the power cabinet of the compressor.

The Power and Energy Meter is then connected to a S330 / S331 Display and Data Logger to record the Voltage and Current of each phase, as well as recording the actual power consumption and the total energy consumption.

This is not only used to identify inefficient compressors, but also letting the compressed air operator know what the real costs of the compressed air are.

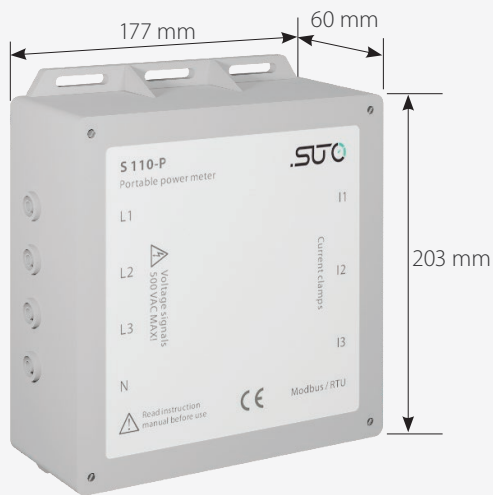




Current Measuring via Rogowski coils offers a high accuracy over a wide range and an easy installation. (Note: for each phase, one coil is needed)



S110-P



Monitoring Software



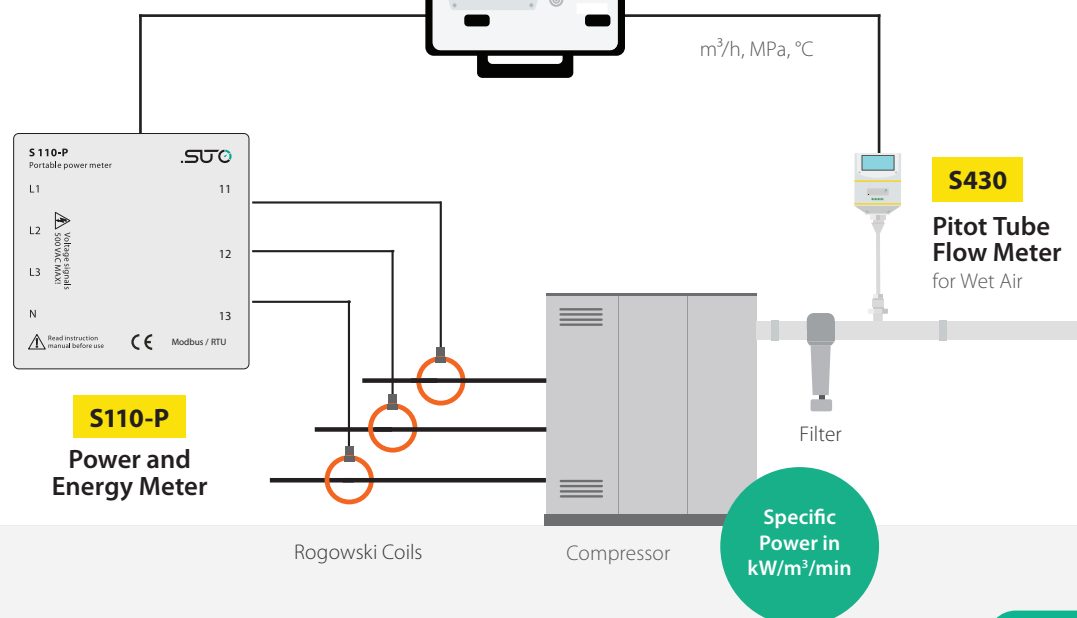
Wireless Connection

S551

Portable Data Logger
Can be used as on-site portable display

Compressor Efficiency Test

Knowing your compressor efficiency is the first step for your energy saving goals. With this solution you will know, how much electrical energy is needed to produce 1 m³ compressed air and what are the electrical costs.



Technical Data

Measurement

Flow

Accuracy	V = 0.2 %, A = 0.5 %
Selectable units	V, A, kW, kvar, kVA, kWh, Hz
Measuring range	100 ... 500 VAC, up to 2500 kW
Sampling rate	8 k/s

Signal / Interface & Supply

Fieldbus

Protocol	Modbus/RTU
----------	------------

Supply

Voltage supply	S110: 24 VDC 1 W S110-P: 24 VDC 2 W
----------------	--

Current consumption	Max. 50 mA
---------------------	------------

Data interface

Connection	M12 connector
------------	---------------

General data

Material

Housing	ABS
---------	-----

Miscellaneous

Protection class	IP20
------------------	------

Approvals	CE
-----------	----

Weight	0.21 kg
--------	---------

Operating conditions

Ambient temperature	-25 ... +55 °C
---------------------	----------------

Storage temperature	-40 ... +85 °C
---------------------	----------------

Ordering

Please use the following tables to assist in placing your order with our sales staff.

S110 Power and Energy Meter

Order No. Description

Stationary

D554 0130	S110 Power and Energy Meter, hat rail, Modbus/RTU, 24 VDC supply
S554 0140	Electrical Current Transmitter for S110, 1000 A, 100 mm diameter, 1.8 m cable, open ends
S554 0141	Electrical Current Transmitter for S110, 3000 A, 150 mm diameter, 1.8 m cable, open ends
S554 0142	Electrical Current Transmitter for S110, 100 A, 16 mm diameter, 1.8 m cable, open ends

Portable

P554 0134	S110-P Portable Power and Energy Meter, incl. 5 m connection cable to S551 (Modbus/RTU), 4 voltage test leads and 4 test clips
S554 0160	Electrical Current Transmitter for S110-P, 1000 A, 100 mm diameter, 1.8 m cable, connector to S110-P
S554 0161	Electrical Current Transmitter for S110-P, 3000 A, 150 mm diameter, 1.8 m cable, connector to S110-P
S554 0162	Electrical Current Transmitter for S110-P, 100 A, 16 mm diameter, 1.8 m cable, connector to S110-P



www.suto-itec.com



sales@suto-itec.com