

B Pump – Vertical Turbine Pump



Vertical Turbine Pump

Applications:

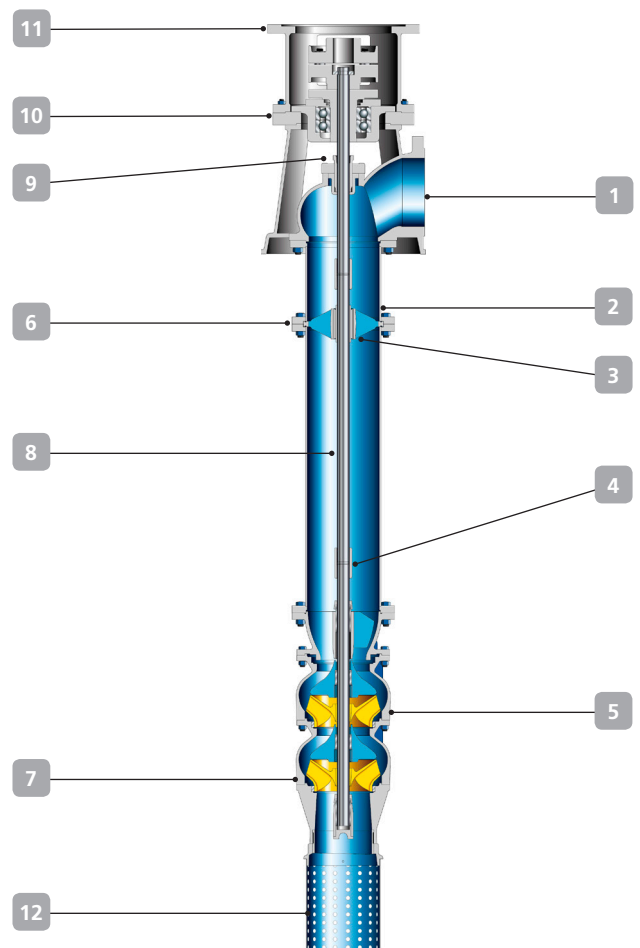
- Water supply
- Water extraction
- Lowering ground water
- Irrigation
- Cooling water
- Seawater intake
- Raw and clean water transport
- Fire Fighting

More information:

www.ksb.com/products

B Pump – Vertical Turbine Pump

- 1 One discharge elbow**
For all design variants
- 2 Flanged column pipe**
Diameter smaller than nominal well diameter
- 3 Guiding bushes of shaft assembly**
Made of rubber, product lubricated, without spacer sleeve
- 4 Threaded or cone couplings**
to connect shafts
- 5 Impellers fastened to the shaft**
with tapered locking sleeves for easy dismantling
- 6 Bearing spider**
to align intermediate shafts
- 7 Wear ring**
made of bronze and cast iron easy to replace, prevents wear on casing and impeller
- 8 Shaft assembly**
made of stainless steel or carbon steel
- 9 Shaft sealing**
gland packing option of mechanical seal also available
- 10 Thrust bearing**
for a very long service life
- 11 Different drive option**
available on request VHS, VI Motor Gear head, pulley drives
- 12 Suction strainer**



Operating data

Flow rate	up to 2600 m ³ /h
Head	up to 160 m
Pressure	up to 16 bar
Temperature	up to 105 °C
Suspended depth	up to 120 m

Materials of Construction Parts / Component

Suction piece, discharge piece, intermediate bowl, discharge head, spider	GG-25
Wear ring	GG-25
Impeller	GG-25 / GCusn-10
Bearing sleeve	GCusn-10
Pump shaft, pump shaft coupling column shaft	C45 / 1.4021
Rubber bearing	St / Rub / Thordon
Bearing bush	GG-25/Rst 37-2
Column Pipe	ASTM A53/Rst 37-2

Other materials upon request (Stainless steel, Ni-resist, Duplex, Super Duplex, Bronze)

Drives

B Pumps are driven either by the vertical hollow/solid shaft electric motor or a diesel (IC) engine. If an IC engine is used, transmission can be affected via bevel gears. A torsionally flexible cardan shaft is fitted as a coupling in this case.

The different types of drives are:

- ET – Vertical hollow shaft motor
- V1 – Solid shaft motor through flexible coupling
- KT – Diesel engine via bevel gears
- EK – Combine drive either by ET or KT
- RT – Diesel engine via flat belt



KSB Pumps Company Limited

Head Office 16/2 • Sir Aga Khan Road • Lahore • Pakistan

UAN: +92-42-111-572-786 Tel: +92-42-36304173-74

Fax: +92-42-36366192, 36368878

E-mail: info@ksb.com.pk • www.ksb.com.pk